

STEEL RUNNING MAN / EXIT COMBO INSTRUCTIONS CSA C22.2 No.141

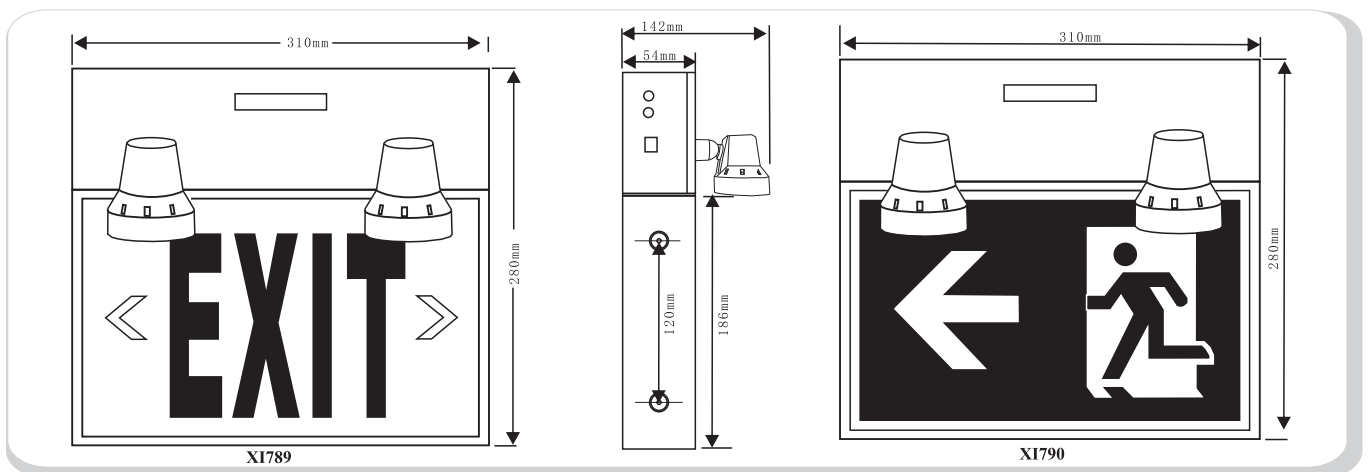
1. DESCRIPTION:

This emergency light is constructed with steel housing and lightweight thermal plastic head in matching color. It is presented a simple and modern design with high efficiency LED remote heads. Universal mounting pattern and keyhole slots are stamped on the back and conduit knockouts on the sides of each unit.

2. CIRCUITRY:

	XI789 XI790	Electrical parameters
AC120V 50/60Hz	Input Wattage:3.5W	Working voltage:120V-347V 50Hz/60Hz
	Input Current:0.25A	Recharge time: 24 Hours
	Efficiency:0.97P	Output Wattage:2W*2PCS+1W; Max:36W
AC277V 50/60Hz	Input Wattage: 5.5W	Color temperature: 6500K-7500K
	Input Current:0.3A	Light Source: Ultra bright LED
	Efficiency:0.92P	Plug in LED:(1)E:Φ5 Red (2)RM:Φ5 White
AC347V 50/60Hz	Input Wattage:7.5W	Emergency duration: ≥30mins(36W)
	Input Current:0.325A	Lead-Acid Battery 6V/6Ah
	Efficiency:0.92P	Product Size: 310*142*280mm
PS: Battery voltage is negatively relative to input wattage.		

3. PRODUCT SIZE:



4. ATTENTION:

- 4.1. READ AND FOLLOW ALL SAFETY INSTRUCTIONS.
- 4.2. For Indoor use ONLY.
- 4.3. Do not let power cords touch hot surfaces.
- 4.4. Do not install near gas or electric heaters.
- 4.5. Use caution when servicing batteries. Battery acid can cause burns to skin and eyes. If acid is spilled on skin or eyes, flush acid with fresh water and contact a physician immediately.
- 4.6. Equipment should be mounted in locations and at heights where unauthorized personnel will not readily subject it to tampering.
- 4.7. The use of accessory equipment not recommended by manufacturer, may cause an unsafe condition, and will void the unit's warranty.
- 4.8. Do not use this equipment for other than its intended purpose.
- 4.9. Servicing of this equipment should be performed by qualified service personnel.
- 4.10. SAVE THESE INSTRUCTIONS FOR FUTURE REFERENCE.

5. INSTALLATION INSTRUCTIONS:

5.1. Wall Mount (Single Face Only):

5.1.1. 1. Extend unswitched 24 hour AC supply of rated voltage to a junction box (supplied by others) installed in accordance with all applicable codes and standards. Leave a minimum of 8 inches of slack on the wire. This circuit should NOT be energized/live at this time.

5.1.2. 2. Remove the faceplate. Remove and discard the canopy kit located inside the sign cavity (Fig. 1 & 2).

5.1.3. Remove the powerpack cover screw and lift the powerpack cover up and out of the way. The front mounted heads are wired to the charger board; these can remain connected if the cover does not interfere with the installation (Fig. 1).

5.1.4. For installation directly over the electrical junction box, the sign is supplied with universal spider knockouts and keyhole slots stamped into the back of the powerpack. Alternatively, conduit knockouts are stamped into Steel frame rear cover for surface wire conduit connection. Knock out the appropriate hole(s) and bring wires through the hole(s) and into the powerpack (Fig. 2).

5.1.5. Mount the unit securely into place. Do not rely on the electrical connections as the only support for the unit; use supplied keyhole mounting slots (Fig. 2).

5.1.6. Make proper wiring connections between the AC supply and the unit's transformer: White - Black - Line 120V-347 Volts; Green - Ground; (Fig.4).

Insulate unused wire! Connect ground to supplied green ground wire in accordance with local codes. Reassemble all wire connections and connectors.

CAUTION! - Failure to insulate unused wire may result in a shock hazard or unsafe condition as well as equipment failure.

5.1.7. Secure all internal wires.

5.1.8. Replace cover and secure the powerpack cover screw.

5.1.9. Knockout and remove any required directional chevron/arrows from the sign faceplate (Fig. 3).

5.1.10. Slide the faceplate and stencil fibre into the sign frame, then replace and secure the faceplate screw.

5.1.11. Turn on AC line voltage supply.

5.1.12. Loosen the head set screws and manually position each head to achieve the desired emergency light distribution/ placement. Secure all set screws when complete.

5.2. Ceiling or End Mount:

5.2.1. Follow Steps 1 to 3 of Wall Mounting except DO NOT discard the canopy kit located inside the sign.

5.2.2. A single wire pass-thru and pair of canopy screw knockouts are stamped into the top and end of the sign. Knock out the appropriate set of three (3) holes (Fig. 5).

5.2.3. Secure the canopy to the sign using the supplied hardware.

5.2.4. Feed all wiring into the sign through the wire pass-thru hole.

5.2.5. Mount the sign securely to the wall or ceiling. The hole spacing in the canopy is designed to fit most standard electrical junction boxes. A steel, universal spider plate is supplied to allow mounting to alternate size /type boxes (Fig. 5).

5.2.6. Follow Steps 6 to 12 of Wall Mounting to complete installation.

6. OPERATION:

6.1. To Test, depress the TEST Switch. The Main(Green) LED will go out and the connected DC lamps will come on.

6.2. Release the TEST Switch. DC lamps will be extinguished

6.3. A bright he Main(Green) LED light indicates a high charge rate. and off intermittently while the unit is in standby mode (regular AC is present), in order to maintain an optimal battery performance.

7. MAINTENANCE:

7.1. Code requires that the equipment be tested every 30 days for 30 seconds, and that written records be maintained for all test results and repairs. Further, the equipment is to be tested once a year for the required duration as per Code. The battery is to be replaced or the equipment repaired whenever the equipment fails to operate as intended during the duration test. The manufacturer strongly recommends compliance with all Code requirements.

7.2. Clean lenses on a regular basis to provide maximum light distribution in case of an emergency.

NOTE: The servicing of any parts should be performed by qualified service personnel only. The use of replacement parts not furnished by the manufacturer may cause equipment failure and will void the warranty.

8. TROUBLESHOOTING HINTS

CONNECTED EMERGENCY LUMINAIRES DO NOT TURN ON AT ALL

- 8.1. Check AC supply - be sure unit has 24 hour AC supply (un-switched).
- 8.2. AC supply is OK, and indicator light is out, replace PC Board Assembly. AC On Pilot LED Light is on before test...
- 8.3. Either the output is shorted or overloaded, or the battery is not connected.
- 8.4. Battery is severely discharged. Allow 24 hours for recharge and then retest. NOTE: This could be the result of a switched AC supply to the unit (which has been turned off at some point), a battery with a shorted cell, an old battery or a battery which has been discharged due to a long power outage and is not yet fully recharged.

EMERGENCY LUMINARIES COME ON WHEN BATTERY IS FIRST CONNECTED

Battery may not be connected in reverse polarity. Check connections. Connect Positive lead to Positive battery terminal and Negative lead to Negative battery terminal. The lamps should then turn off and the charge indicator should light when AC power is applied (Fig. 4).

NOTHING HAPPENS WHEN THE UNIT IS ENERGIZED (AC TURNED ON)

Some models have a standard time delay built into the design of the charger board.

Please allow a maximum of 15 minutes with AC current connected before any status.

Faceplate types



Fig.1

panel sign

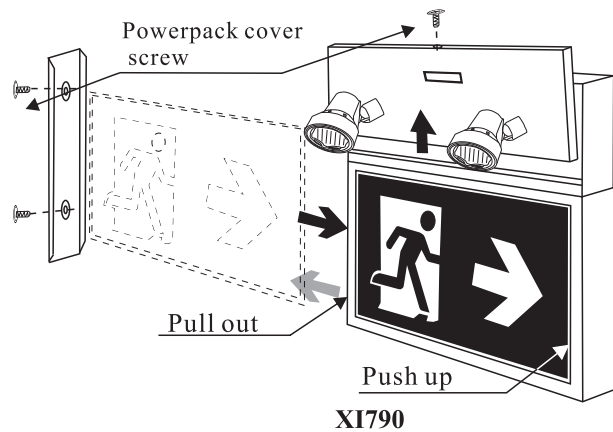
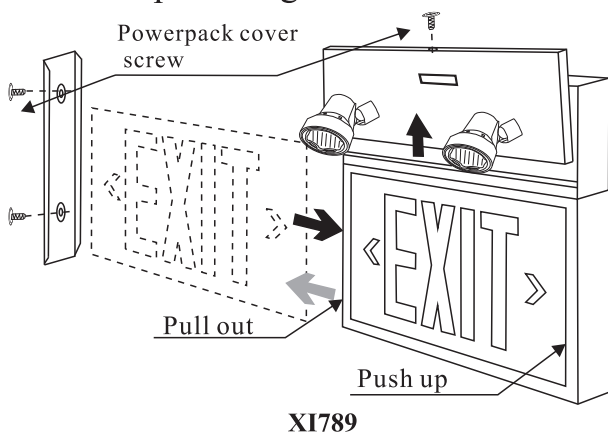


Fig.2

Wall mount

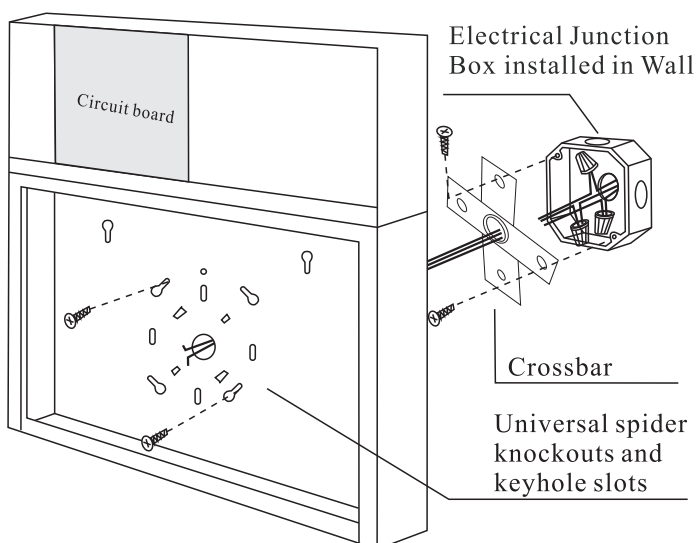


Fig.3

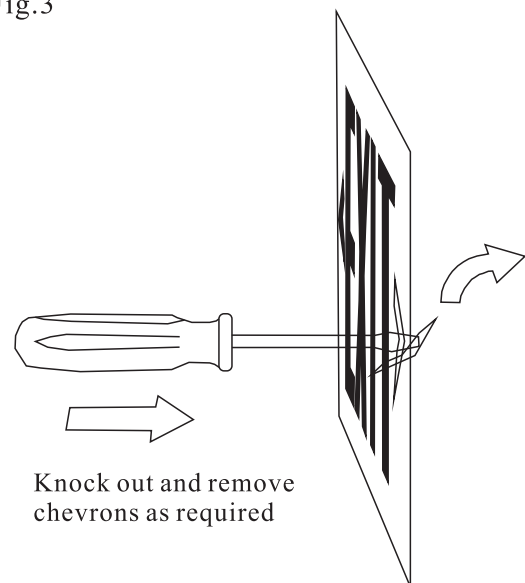


Fig.4

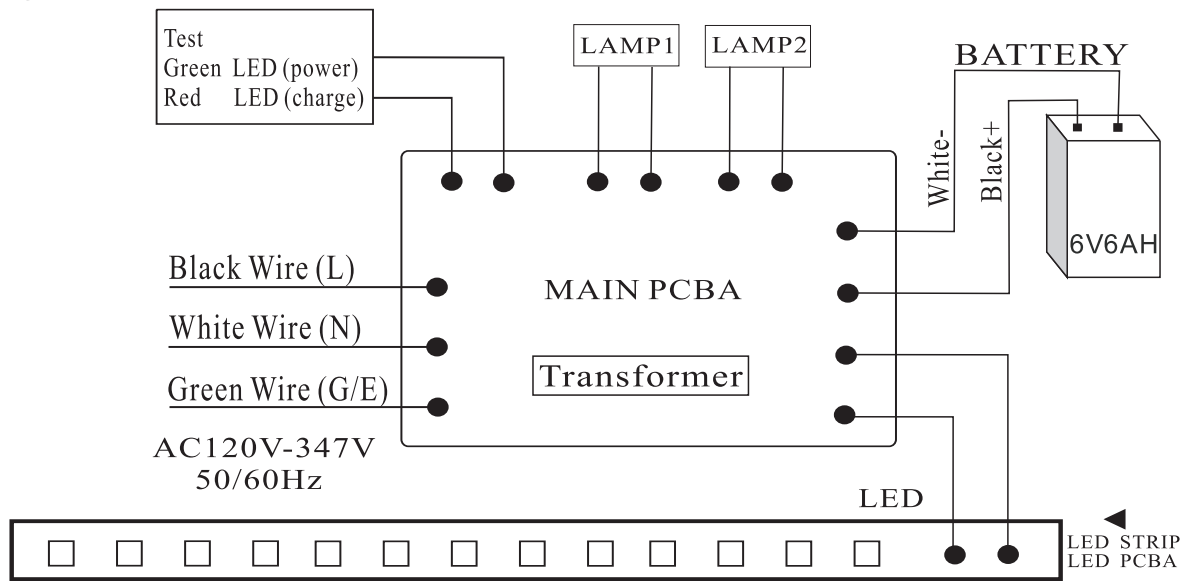


Fig.5

Ceiling or End mount

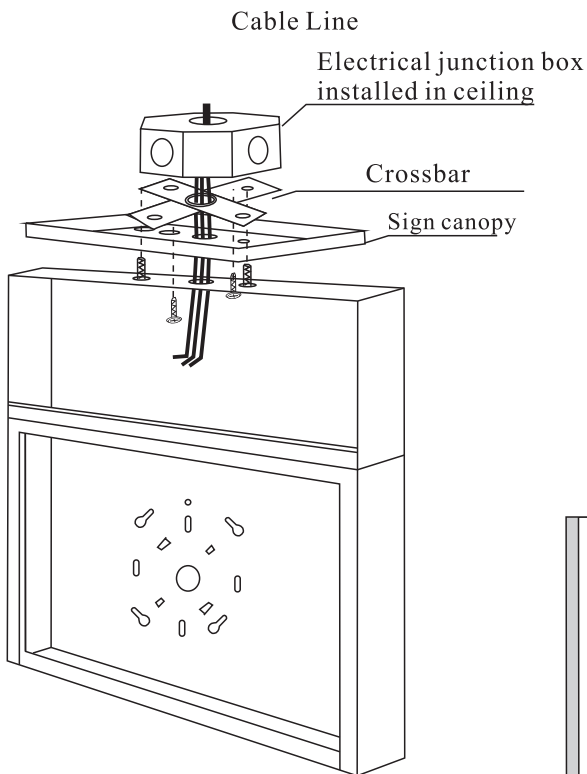


Fig.6

